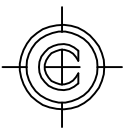
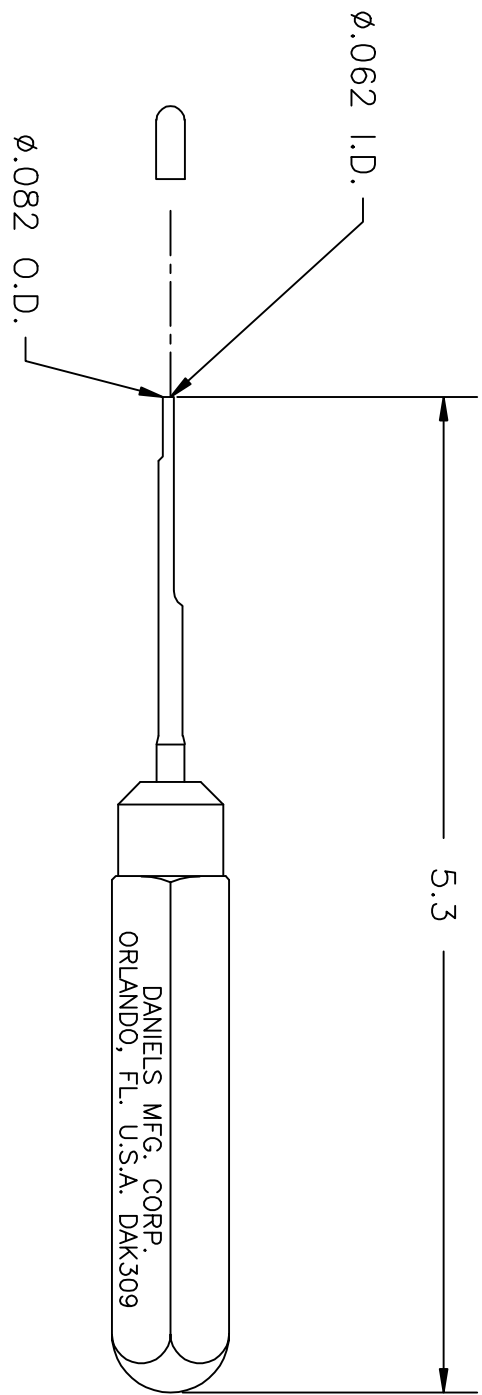


**UNCONTROLLED DOCUMENT
WILL NOT BE UPDATED**

| REV. SYM. | | E.C.O. NUMBER | DESCRIPTION | BY DATE | APP'D DATE |
|-----------|--|---------------|---|--------------|--------------|
| 1 | | | ORIGINAL RELEASE | JWJ 10/29/03 | RRR 10/29/03 |
| 2 | | 21481 | "COMPARABLE TO" WAS "EQUIVALENT" ADDED FRONT VIEW | KDH 10/30/09 | RRR 10/30/09 |



FRONT VIEW

1. COMPARABLE TO ASTRO ATD 1061
NOTES:

RESTRICTED & CONFIDENTIAL
CONFIDENTIAL PROPERTY OF DANIELS MANUFACTURING CORP. NOT TO BE DISCLOSED TO OTHERS. REPRODUCED OR USED FOR ANY OTHER PURPOSE EXCEPT AS AUTHORIZED IN WRITING BY DANIELS MANUFACTURING. MUST BE RETURNED TO DANIELS MANUFACTURING CORP. ON COMPLETION OF ORDER OR OTHER PURPOSES FOR WHICH LENT.

DO NOT SCALE DRAWING

| | | | | | |
|--|---------------|---------------------|--|--------|--------|
| MATERIAL | | HEAT TREAT | | FINISH | |
| ITEM | PART NO. | QTY. | DESCRIPTION/REMARKS | | |
| DRN. J. JOYCE | DATE 10/29/03 | | DMS DANIELS MANUFACTURING CORP. ORLANDO, FLORIDA CAGE 11851 | | |
| CHK'D. RRR | DATE 10/29/03 | | | | |
| APP'D. | DATE | | | | |
| APP'D. | DATE | | TITLE | | |
| NOTE: THIS DRAWING IS AN OUTLINE DRAWING OF THE RESPECTIVE DMC PART NUMBER INDICATED. ACTUAL DMC PART NUMBER IS DRAWING NUMBER WITHOUT THE "-ENV" SUFFIX. | | | WHERE USED: | | |
| | | | INSTALLING TOOL ENVELOPE DRAWING | | |
| SIZE A | SCALE NTS | CAD P/N DAK309-ENV | SHEET 1 | OF 1 | REV. 1 |
| POSTING | | DWG. NO. DAK309-ENV | | | REV. 2 |