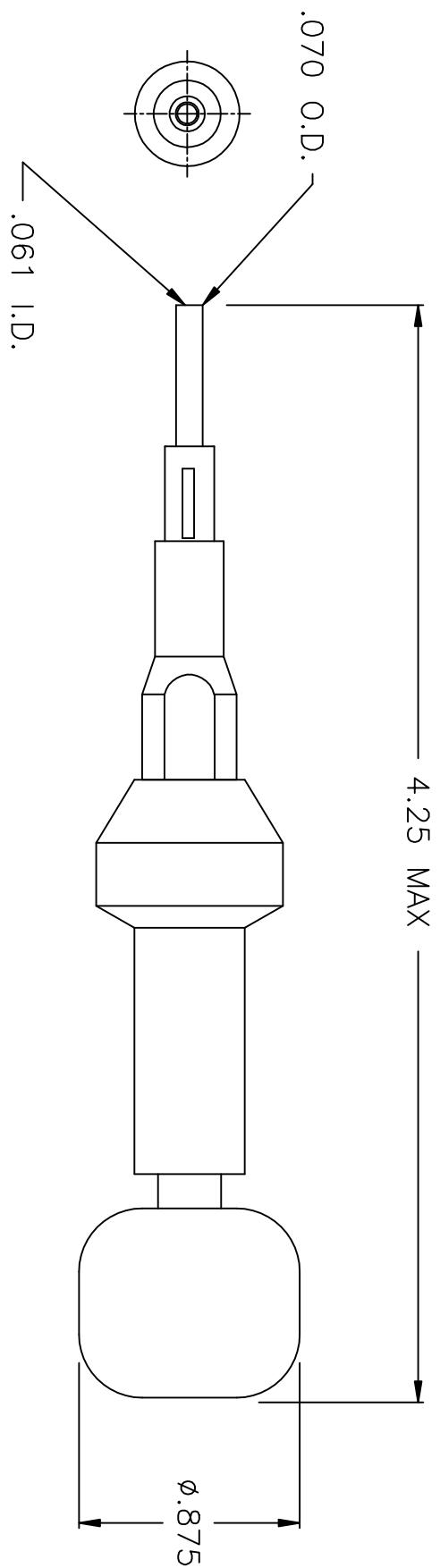



REVISIONS				
REV. SYM.	E.C.O. NUMBER	DESCRIPTION	BY DATE	APP'D DATE
1		ORIGINAL RELEASE	JWJ 5/29/03	RRR 5/29/03
2	21481	ADDED FRONT VIEW	KDH 11/05/09	RRR 11/05/09



**UNCONTROLLED DOCUMENT
WILL NOT BE UPDATED**

RESTRICTED & CONFIDENTIAL
 CONFIDENTIAL PROPERTY OF DANIELS MANUFACTURING CORP. NOT TO BE DISCLOSED TO OTHERS, REPRODUCED OR USED FOR ANY OTHER PURPOSE EXCEPT AS AUTHORIZED IN WRITING BY DANIELS MANUFACTURING. MUST BE RETURNED TO DANIELS MANUFACTURING CORP. ON COMPLETION OF ORDER OR OTHER PURPOSES FOR WHICH LENT.

MATERIAL		ITEM		PART NO.		QTY.		DESCRIPTION/REMARKS	
HEAT TREAT		DRN.	J. JOYCE	DATE	5/29/03			DANIELS MANUFACTURING CORP. ORLANDO, FLORIDA CAGE 11851	
FINISH		CHK'D.	RRR	DATE	5/29/03	TITLE		REMOVAL TOOL ENVELOPE DRAWING	
		APP'D.		DATE		WHERE USED:		CAD P/N	SHEET OF
		APP'D.		DATE		A NTS		DRK287-ENV	1 1
		NOTE: THIS DRAWING IS AN OUTLINE DRAWING OF THE RESPECTIVE DMC PART NUMBER INDICATED. ACTUAL DMC PART NUMBER IS DRAWING NUMBER WITHOUT THE "-ENV" SUFFIX.				POSTING		DWG. NO.	REV.
								DRK287-ENV	2

DO NOT SCALE DRAWING