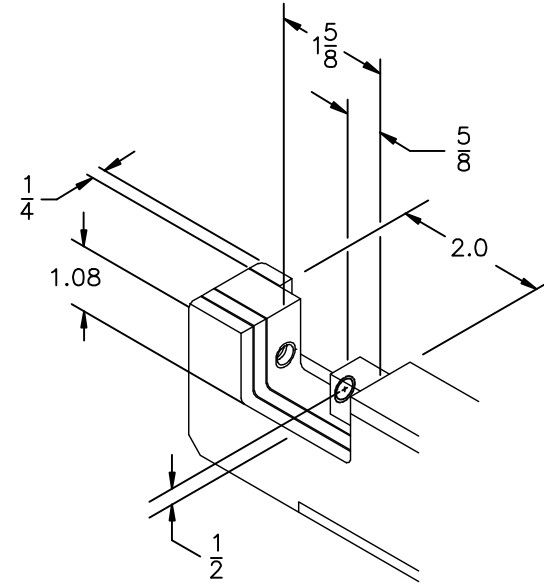
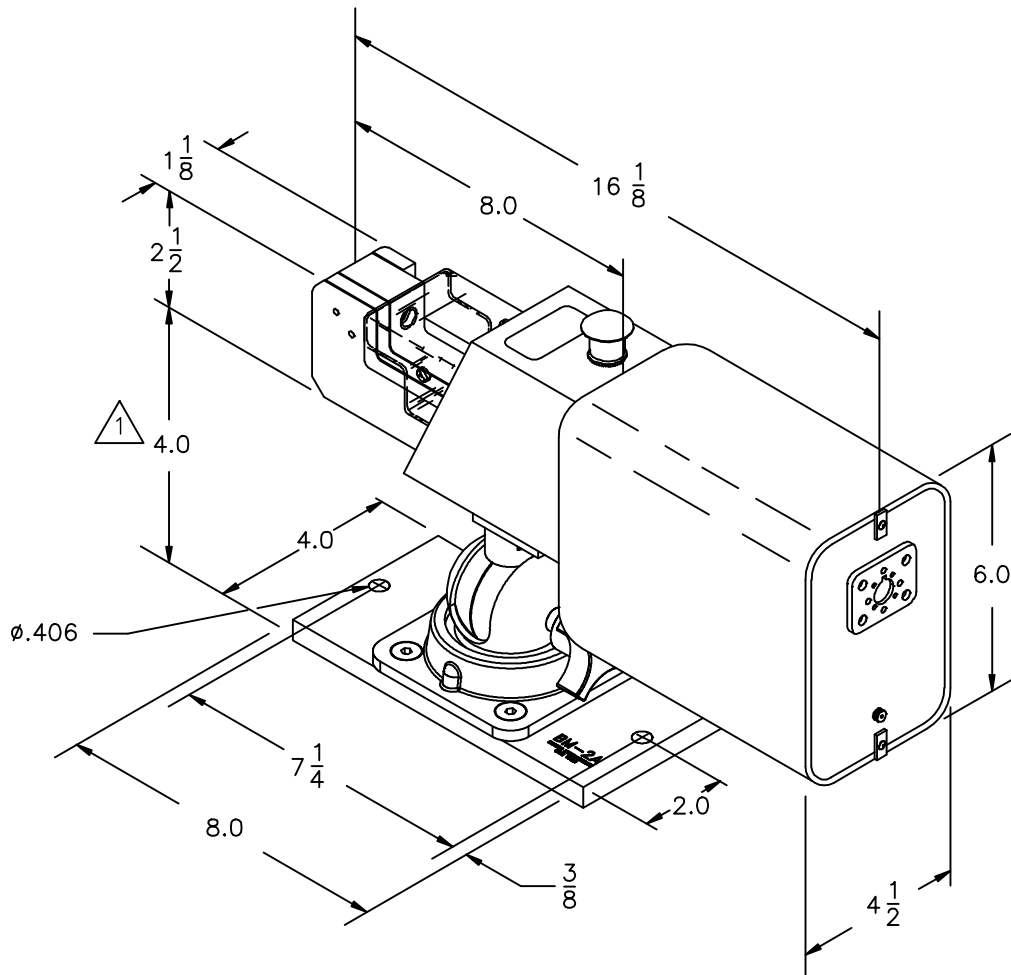


REVISIONS				
REV. SYM.	E.C.O. NUMBER	DESCRIPTION	BY DATE	APP'D DATE
2		FITTING REPLACED WITH CONNECTOR	KMS 6-2-87	BC 6-87
3	21631	NEW BENCH MOUNT, BM-2A, SHOWN	TD 3-4-10	



THROAT DIMENSIONS

**UNCONTROLLED DOCUMENT
WILL NOT BE UPDATED**

2. SOME DETAILS NOT SHOWN TO CLARIFY THROAT DIMENSIONS.
1. DIMENSION FROM BOTTOM OF BASE MOUNT.

NOTES:

RESTRICTED & CONFIDENTIAL		MATERIAL		ITEM	PART NO.	QTY.	DESCRIPTION/REMARKS			
CONFIDENTIAL PROPERTY OF DANIELS MANUFACTURING CORP. NOT TO BE DISCLOSED TO OTHERS, REPRODUCED OR USED FOR ANY OTHER PURPOSE, EXCEPT AS AUTHORIZED IN WRITING BY DANIELS MANUFACTURING. MUST BE RETURNED TO DANIELS MANUFACTURING CORP. ON COMPLETION OF ORDER OR OTHER PURPOSE FOR WHICH LENT.		HEAT TREAT		DRN.	MS	DATE	DMC DANIELS MANUFACTURING CORP. ORLANDO, FLORIDA CAGE 11851 TITLE HX23 PNEUMATIC CRIMP TOOL ENVELOPE DRAWING			
				CHK'D.	LME	DATE				
				ED	EN	DATE				
				APP'D.		DATE				
DO NOT SCALE DRAWING		FINISH		NOTE:			WHERE USED:			
				THIS DRAWING IS AN OUTLINE DRAWING OF THE RESPECTIVE DMC PART NUMBER INDICATED. ACTUAL DMC PART NUMBER IS DRAWING NUMBER WITHOUT THE "-ENV" SUFFIX.			SIZE	SCALE	CAD P/N	SHEET
				B	NTS	HX23-ENV	1	OF		
				POSTING	DWG. NO.	HX23-ENV	3	REV.		