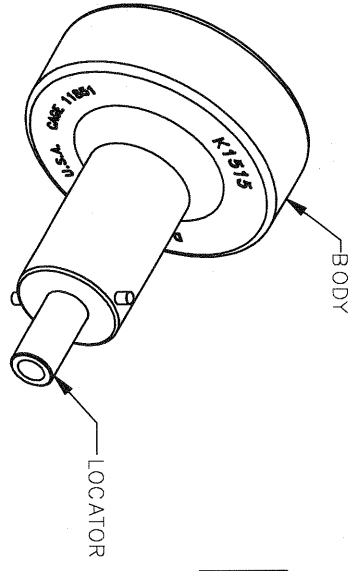
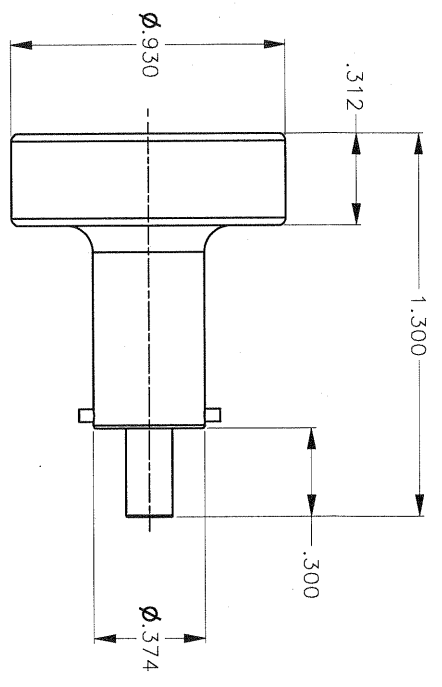
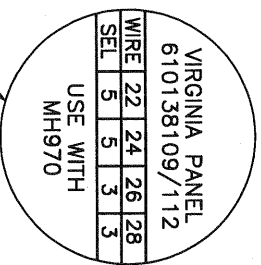
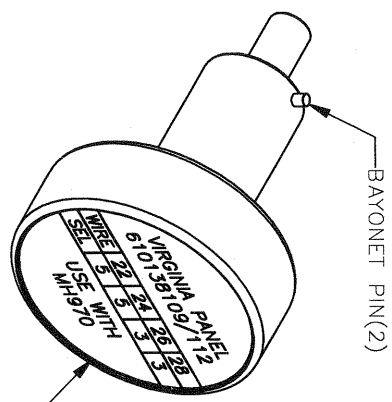


REVISIONS		BY	APPRO
REV	DESCRIPTION	DATE	DATE
1	ORIGINAL RELEASE	09-03-09	

UNCONTROLLED DOCUMENT
WILL NOT BE UPDATED



LOCATOR	
HOLE DIMENSIONS	ADDITIONAL FEATURES
Ø.097	
▽.768	



RESTRICTED & CONFIDENTIAL		MATERIAL		ITEM	PART NO.	QTY.	DESCRIPTION/REMARKS
CONFIDENTIAL PROPERTY OF DANIELS MANUFACTURING CORP. NOT TO BE DISCLOSED TO OTHERS, REPRODUCED OR USED FOR ANY OTHER PURPOSE EXCEPT AS AUTHORIZED IN WRITING BY DANIELS MANUFACTURING CORP. ON COMPLETION OF ORDER OR OTHER PURPOSE FOR WHICH INTENT.		HEAT TREAT		GRN	DATE		
		FINISH		CHKD.	DATE		
CREATED FROM AN INVENTOR MODEL. CHANGES MUST BE REFLECTED IN THE 3D PART DO NOT SCALE DRAWING		NOTE: THIS DRAWING IS AN OUTLINE DRAWING OF THE RESPECTIVE PART NUMBER AND PART NUMBER WITHOUT THE "-ENV" SUFFIX		APP'D.	DATE		
		WHERE USED:		TITLE			
		SIZE SCALE POSTING		POSITIONER ENVELOPE DRAWING			
		DWG No. K1515-ENV		DANIELS MANUFACTURING CORP. ORLANDO, FLORIDA CAGE 11851			
		SHEET 1 OF 1					
		REV. 1					

NOTE: FOR USE WITH DANIELS CRIMP TOOLS
ACCOMMODATING "K" SERIES POSITIONERS