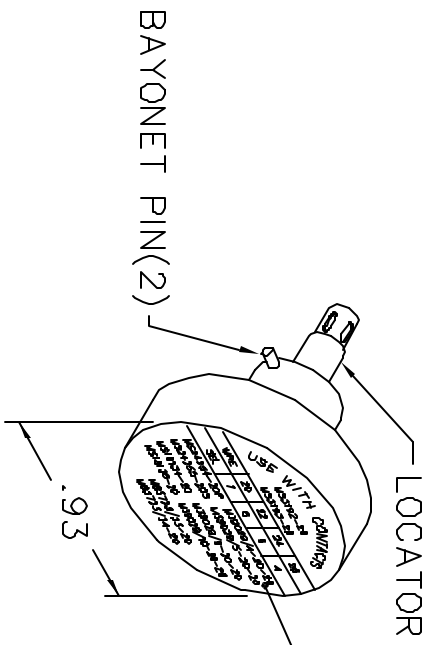
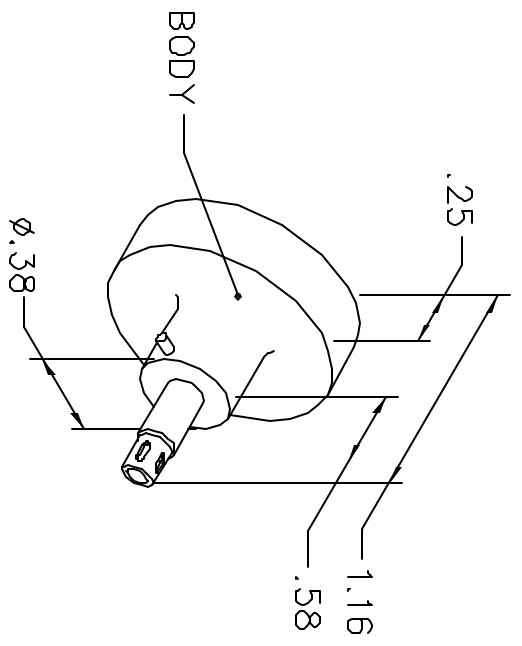


REVISIONS				
REV. SYM.	E.C.D. NUMBER	DESCRIPTION	BY DATE	APP'D DATE
2		REDRAWN	ARR 11-11-99	RRR 11-11-99

**UNCONTROLLED DOCUMENT
WILL NOT BE UPDATED**



USE WITH CONTACTS

	MS3192-20			
	MS3193-20			
WIRE	20	22	24	26
SEL	7	6	5	4
MS24254-20P	M39029/4-20-20			
MS24255-20S	M39029/5-20-20			
MS18134-20	M39029/9-20-20			
MS18136-20	M39029/10-20-20			
M83723/33-20				
M83723/34-20				

NOTE: FOR USE WITH DANIELS CRIMP TOOLS
ACCOMMODATING "K" SERIES POSITIONERS

LOCATOR	
HOLE DIMENSIONS	ADDITIONAL FEATURES
Ø.081	└┘ Ø.106
▽.800 MIN.	▽.310

RESTRICTED & CONFIDENTIAL

CONFIDENTIAL PROPERTY OF DANIELS MANUFACTURING CORP. NOT TO BE DISCLOSED TO OTHERS, REPRODUCED OR USED FOR ANY OTHER PURPOSE, EXCEPT AS AUTHORIZED IN WRITING BY DANIELS MANUFACTURING. MUST BE RETURNED TO DANIELS MANUFACTURING CORP. ON COMPLETION OF ORDER OR OTHER PURPOSE FOR WHICH LENT.

DO NOT SCALE DRAWING

DRN.	DUNG	DATE	1-27-86
CHKD.	MGS	DATE	1-28-86
APP'D.	AAM	DATE	2-3-86
APP'D.		DATE	
TITLE		ENVELOPE DRAWING	
M22520/2-02 POSITIONER			
WHERE USED: ANMB			
SIZE	SCALE	CAD P/N	SHEET OF
A	NTS	K1S-ENV	1 OF 1
POSTING		P/N	REV.
		K1S-ENV	2