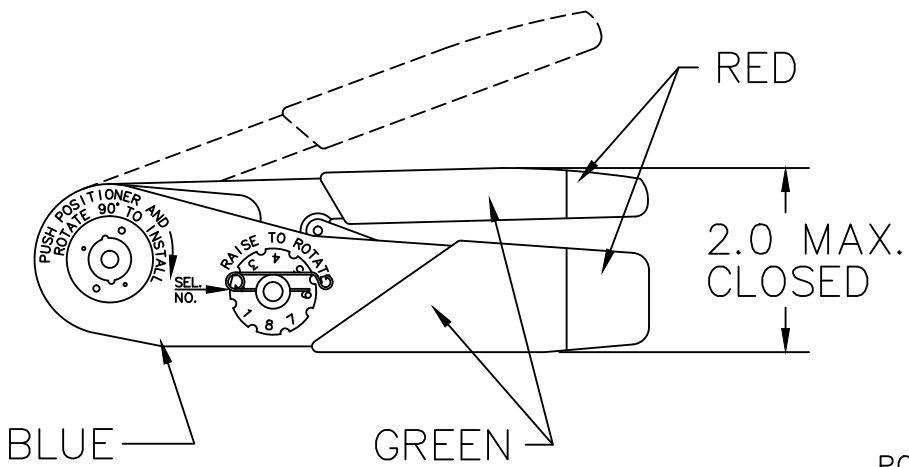


REVISIONS				
REV. SYM.	E.C.O. NUMBER	DESCRIPTION	BY DATE	APP'D DATE
3		ADDED NOTE	ENF 1-13-11	RRR 1-13-11



GAGING LIMITS FOR INDENTERS

SELECTOR NO.	GAGE-INSPECTION	
	GO DIA ±.0001	NO-GO DIA ±.0001
1	.0430	.0460
2	.0460	.0490
3	.0490	.0520
4	.0520	.0550
5	.0560	.0590
6	.0600	.0630
7	.0640	.0670
8	.0690	.0720

USE GAGE P/N G256 AT SEL NO 8

POSITIONERS USED WITH MH801

PART NUMBER	CONTACTS ACCOMMODATED
D16P-1M	M39029/19-01 OUTER PIN
D16S-1M	M39029/21-01 OUTER SHT SKT
D16LS-1M	M39029/20-01 OUTER LG SKT

GAGING LIMITS FOR RETAINERS

SELECTOR NO.	GAGE-INSPECTION	
	GO DIA ±.0001	NO-GO DIA ±.0001
8	.0890	.0920

USE GAGE P/N G257 AT SEL NO 8

**UNCONTROLLED DOCUMENT
WILL NOT BE UPDATED**

CONFORMS TO REF:
M22520/19-01
MEETS PERFORMANCE
STANDARD,
BUT IS NOT QPL

RESTRICTED & CONFIDENTIAL

CONFIDENTIAL PROPERTY OF DANIELS MANUFACTURING CORP. NOT TO BE DISCLOSED TO OTHERS, REPRODUCED OR USED FOR ANY OTHER PURPOSE, EXCEPT AS AUTHORIZED IN WRITING BY DANIELS MANUFACTURING. MUST BE RETURNED TO DANIELS MANUFACTURING CORP. ON COMPLETION OF ORDER OR OTHER PURPOSE FOR WHICH LENT.

DO NOT SCALE DRAWING

DRN.	KR	DATE	11-15-84
CHK'D.	CH	DATE	11-15-84
APP'D.	RRR	DATE	11-16-84
APP'D.		DATE	

NOTE:
THIS DRAWING IS AN OUTLINE DRAWING OF THE RESPECTIVE DMC PART NUMBER INDICATED. ACTUAL DMC PART NUMBER IS DRAWING NUMBER WITHOUT THE "-ENV" SUFFIX.



DANIELS MANUFACTURING CORP.
ORLANDO, FLORIDA
CAGE 11851

TITLE				ENVELOPE DRAWING CRIMP TOOL			
WHERE USED:							
SIZE	SCALE	CAD P/N		SHEET		OF	
A	NTS	MH801-ENV		1		1	
POSTING				DWG. NO.		REV.	
				MH801-ENV		3	