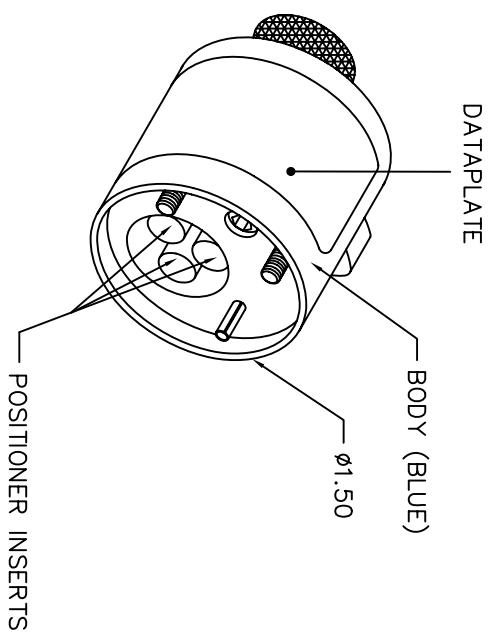


REVISIONS				
REV.	E.C.O. NUMBER	DESCRIPTION	BY DATE	APP'D DATE
1		ORIGINAL RELEASE	JMD 10/11/05	RRR 10/11/05

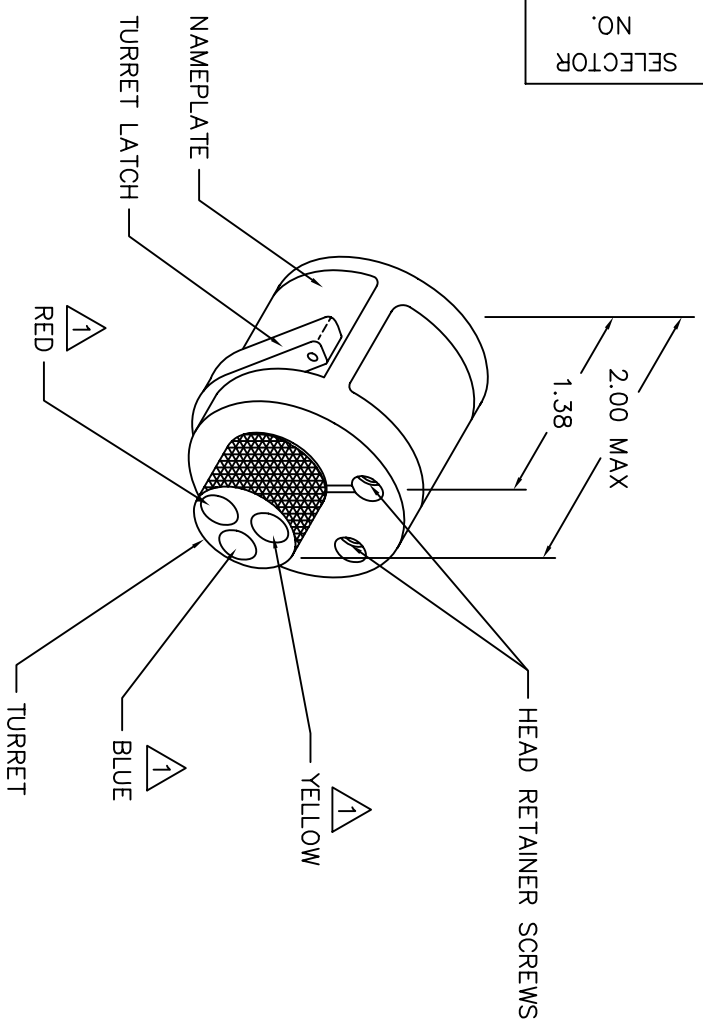
**UNCONTROLLED DOCUMENT  
WILL NOT BE UPDATED**

MFR.	CONTACT #	COLOR CODE	20	18	16	14	12	WIRE SIZE
ANDERSON POWER PRODUCT	1332 (15 AMP)	RED	4	5	6			SELECTOR NO.
	1331 (30 AMP)	BLUE		5	6	6	7	
DEUTSCH	112349 (P)	YELLOW						
	112352 (S)							



POSITIONER COLOR	HOLE DIMENSIONS	ADDITIONAL FEATURES
RED	$\phi$ .129 $\pm$ .120	$\phi$ .070 SLOT $\pm$ .390
BLUE	$\phi$ .168 $\pm$ .128	$\phi$ .070 SLOT $\pm$ .390
YELLOW	$\phi$ .172 $\pm$ .84 MIN.	$\perp$ $\phi$ .209 $\pm$ .055

HOLE AND COUNTERBORE DEPTHS ARE MEASURED FROM TOP OF POSITIONER INSERTS.



$\triangle 1$  RANDOM ORDER OF ROTATION IS ACCEPTABLE.

<b>RESTRICTED &amp; CONFIDENTIAL</b>		CONFIDENTIAL PROPERTY OF DANIELS MANUFACTURING CORP. THIS DRAWING IS AN OUTLINE DRAWING OF THE RESPECTIVE PART NUMBER IS DRAWING NUMBER WITHOUT THE "ENV" SUFFIX. DO NOT SCALE DRAWING	
ITEM	PART NO.	QTY.	DESCRIPTION/REMARKS
DRN.	J. JOYCE		DANIELS MANUFACTURING CORP. ORLANDO, FLORIDA CAGE 11851
CHK'D.	RRR	DATE	
APP'D.	RRR	DATE	
APP'D.		DATE	
NOTE:		WHERE USED: AFB	
THIS DRAWING IS AN OUTLINE DRAWING OF THE RESPECTIVE PART NUMBER IS DRAWING NUMBER WITHOUT THE "ENV" SUFFIX.		SIZE	CAD P/N
		B	TH404S-ENV
		NTS	TH404S-ENV
		POSTING	DWG. NO. TH404S-ENV
		SHEET	1 OF 1
		REV.	1