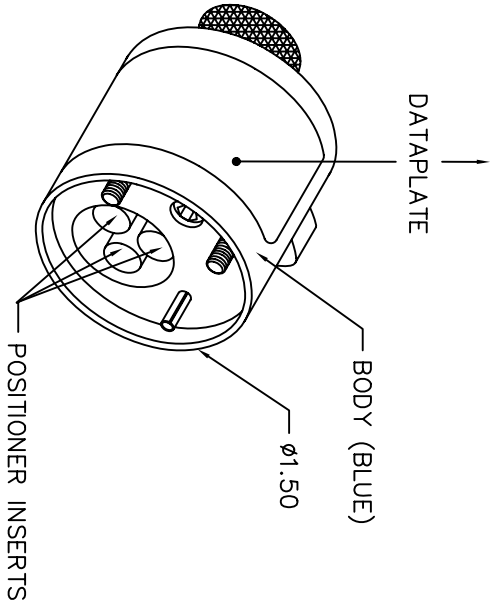




# SOURIAU 8400-2282 BOTTER 4 SHELL SIZE 4

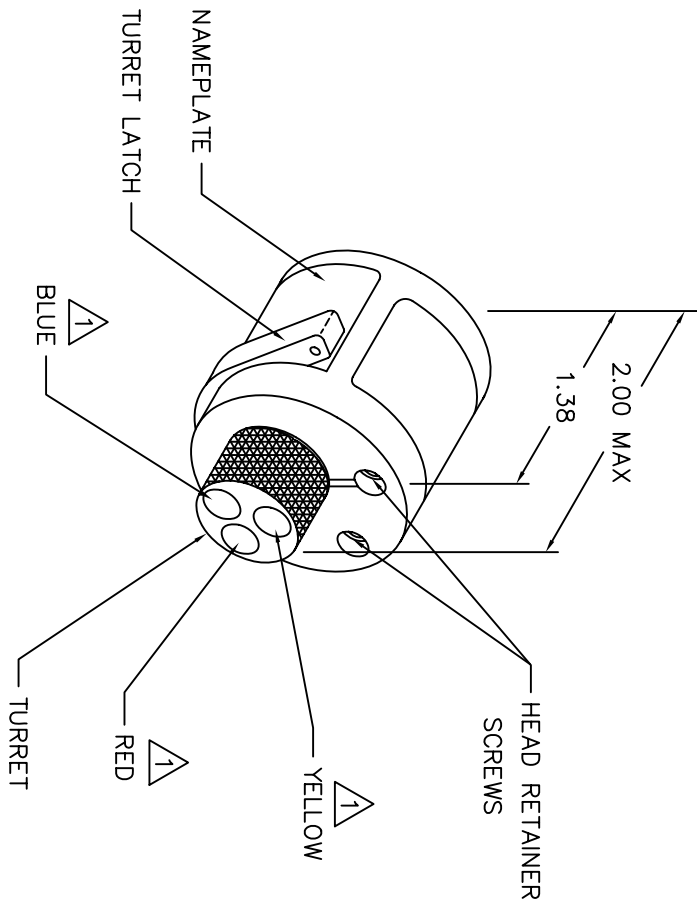
CONTACT	COLOR	CODE	0,5°	#20	0,75°	2,5°	#12	4°	FIL WIRE	SELECTOR
PILOTE	YELLOW	4	4	4						
R1, S2, T3, N	BLUE								8	8
	RED								8	8



POSITIONER COLOR	HOLE DIMENSIONS	ADDITIONAL FEATURES
YELLOW	$\phi$ .103 $\pm$ .592	
BLUE	$\phi$ .150 $\pm$ .674	$\perp$ $\phi$ .185 $\pm$ .611
RED	$\phi$ .182 $\pm$ 1.017	$\perp$ $\phi$ .221 $\pm$ .332 $\phi$ .079 PIN $\text{dt}$ $\pm$ .997

\* HOLE AND COUNTERBORE DEPTHS ARE MEASURED FROM TOP OF POSITIONER INSERTS.

REVISIONS			
REV. NO.	E.C.O. NUMBER	DESCRIPTION	BY DATE
1		ORIGINAL RELEASE	BY DATE MSS 12-2-86



1 RANDOM ORDER OF ROTATION IS ACCEPTABLE.

**RESTRICTED & CONFIDENTIAL**  
 CONFIDENTIAL PROPERTY OF DANIELS MANUFACTURING CORP. NOT TO BE DISCLOSED TO OTHERS, REPRODUCED OR USED FOR ANY OTHER PURPOSE, EXCEPT AS AUTHORIZED IN WRITING BY DANIELS MANUFACTURING CORP. ON COMPLETION OF ORDER OR OTHER PURPOSE FOR WHICH LENT.

ITEM	PART NO.	QTY.	DESCRIPTION/REMARKS
DRN. DATE	BY DATE	CHK'D. DATE	APPR'D. DATE
12-2-86	BY 12-2-86	MSS 12-2-86	AAW 12-2-86

THIS DRAWING IS AN OUTLINE DRAWING OF THE RESPECTIVE PART NUMBER IS DRAWING NUMBER WITHOUT THE "-ENVY SUFFIX."

NOTE: WHERE USED: AFB

TITLE: ENVELOPE DRAWING  
TURRET HEAD

SIZE: B  
SCALE: NTS  
POSTING: TH4055-ENV

DESCRIPTION/REMARKS: DANIELS MANUFACTURING CORP. ORLANDO, FLORIDA CASE 11851

DO NOT SCALE DRAWING

CAD P/N	SHEET	OF
TH4055-ENV	1	1