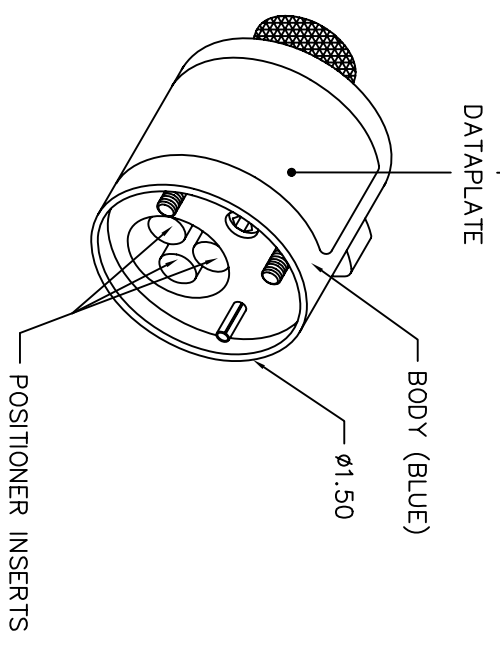


REVISIONS				
REV. STYL.	E.C.O. NUMBER	DESCRIPTION	BY DATE	APP'D DATE
1		ORIGINAL RELEASE	JMO 10/10/05	RRR 10/10/05

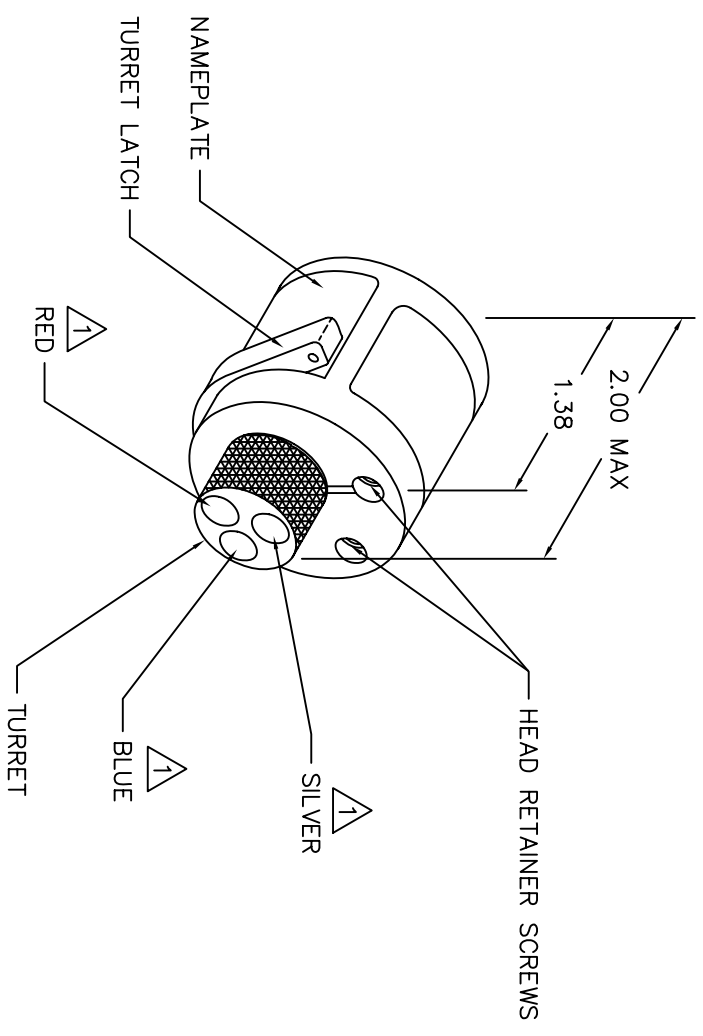
**UNCONTROLLED DOCUMENT  
WILL NOT BE UPDATED**

SIMMONDS PRECISION CONTACTS	COLOR CODE	18 AWG 706878	WIRE SIZE
712291 PIN	RED	6	SEL NO.
712424 SKT	BLUE	7	
USE WITH WA27F			



POSITIONER COLOR	HOLE DIMENSIONS	ADDITIONAL FEATURES
RED	Ø.067 ±.84 MIN.	□ Ø.125 ±.485
BLUE	Ø.133 ±.914	
SILVER		

HOLE AND COUNTERBORE DEPTHS ARE MEASURED FROM TOP OF POSITIONER INSERTS.



1 RANDOM ORDER OF ROTATION IS ACCEPTABLE.

**RESTRICTED & CONFIDENTIAL**  
 CONFIDENTIAL PROPERTY OF DANIELS MANUFACTURING CORP. NOT TO BE DISCLOSED TO OTHERS, REPRODUCED OR USED FOR ANY OTHER PURPOSE, EXCEPT AS AUTHORIZED IN WRITING, BY DANIELS MANUFACTURING. MUST BE RETURNED TO DANIELS MANUFACTURING CORP. ON COMPLETION OF ORDER OR OTHER PURPOSE FOR WHICH SENT.

DO NOT SCALE DRAWING

ITEM	PART NO.	QTY.	DESCRIPTION/REMARKS
DRN. 1	JOYCE 10/10/05		DANIELS MANUFACTURING CORP. ORLANDO, FLORIDA CAGE 11851
CHK'D. RRR	DATE 10/10/05		
APP'D.	DATE		
NOTE:	THIS DRAWING IS AN OUTLINE DRAWING OF THE RESPECTIVE PART NUMBER. INDICATE PART NUMBER AND PART NUMBER IS DRAWING NUMBER WITHOUT THE "-ENV" SUFFIX.		
TITLE		WHERE USED: WA27F	
ENVELOPE DRAWING			
TURRET HEAD			
SIZE	SCALE	CAD P/N	SHEET OF
B	NTS	TH568-ENV	1
POSTING		DWG. NO. TH568-ENV	REV. 1