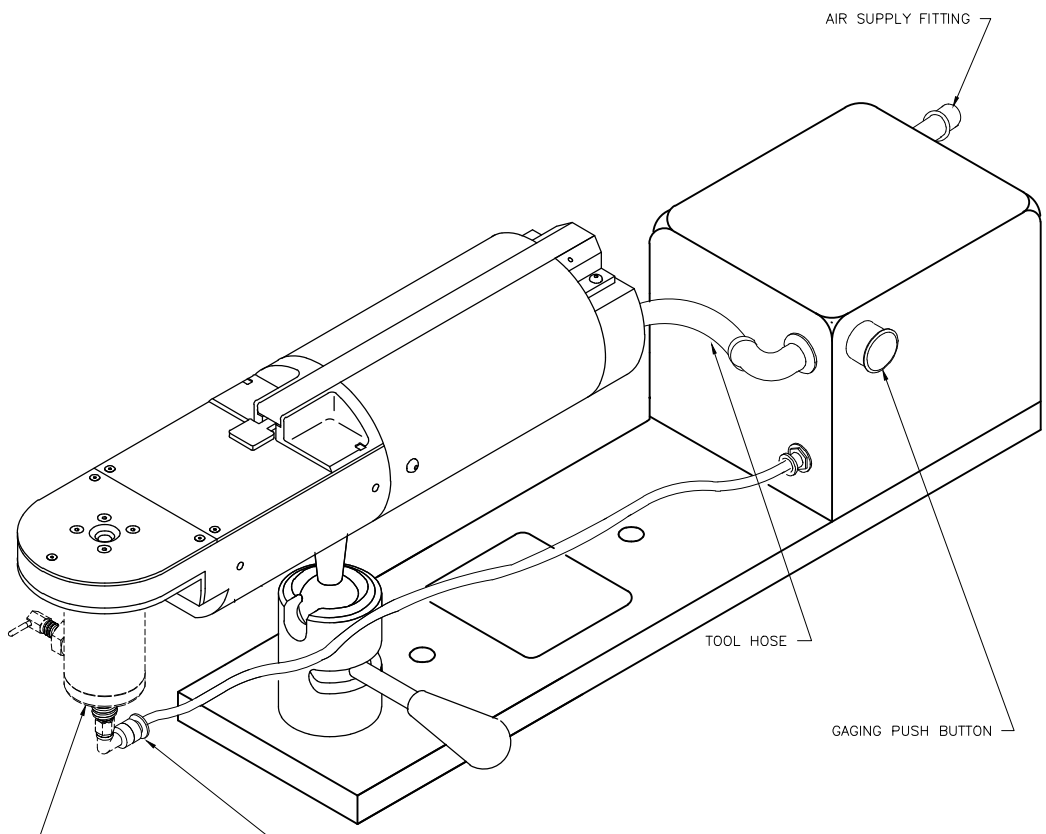


REVISIONS				
REV. SYM.	E.C.O. NUMBER	DESCRIPTION	BY DATE	APP'D DATE
1		ORIGINAL RELEASE	WJP 3-1-00	RRR 3-1-00
2		ADDED "CUSTOM BUILT TO SUIT" "AVAILABLE SEPERATELY"	TD 6-7-10	



THQA OR TPQA
QUICK ASSEMBLY MODULE
CUSTOM BUILT TO SUIT
(AVAILABLE SEPERATELY)

**UNCONTROLLED DOCUMENT
WILL NOT BE UPDATED**

RESTRICTED & CONFIDENTIAL		MATERIAL		ITEM	PART NO.	QTY.	DESCRIPTION/REMARKS		
CONFIDENTIAL PROPERTY OF DANIELS MANUFACTURING CORP. NOT TO BE DISCLOSED TO OTHERS, REPRODUCED OR USED FOR ANY OTHER PURPOSE, EXCEPT AS AUTHORIZED IN WRITING BY DANIELS MANUFACTURING. MUST BE RETURNED TO DANIELS MANUFACTURING CORP. ON COMPLETION OF ORDER OR OTHER PURPOSE FOR WHICH LENT.		HEAT TREAT		DRN.	W. PLYTER	DATE	3-25-97		
				CHK'D.	DE	DATE	3-97		
				APP'D.		DATE			
				APP'D.		DATE			
DO NOT SCALE DRAWING		FINISH		NOTE:				TITLE	
				THIS DRAWING IS AN OUTLINE DRAWING OF THE RESPECTIVE DMC PART NUMBER INDICATED. ACTUAL DMC PART NUMBER IS DRAWING NUMBER WITHOUT THE "-ENV" SUFFIX.				WHERE USED:	
				SIZE	SCALE	CAD P/N	SHEET OF		
				B	NTS	WA27FQA-ENV	1 1		
		POSTING	DWG. NO.	REV.					
			WA27FQA-ENV	2					



DANIELS MANUFACTURING CORP.
ORLANDO, FLORIDA
CAGE 11851

AUTOMATIC POSITIONER CRIMP SYSTEM
ENVELOPE DRAWING