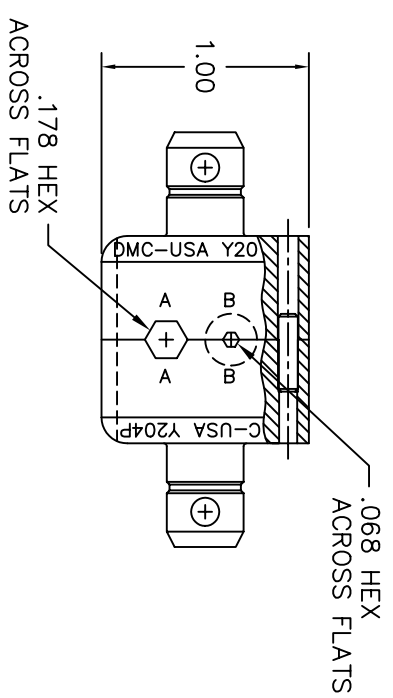
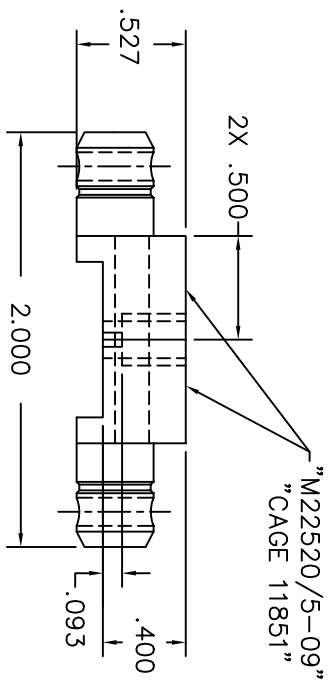


REVISIONS				
REV. NUMBER	E.C.O. NUMBER	DESCRIPTION	BY DATE	APP'D DATE
1		ORIGINAL RELEASE	7/10/98	7/98



RESTRICTED & CONFIDENTIAL		MATERIAL		ITEM		PART NO.		QTY.		DESCRIPTION/REMARKS	
CONFIDENTIAL PROPERTY OF DANIELS MANUFACTURING CORP. NOT TO BE DISCLOSED TO OTHERS, REPRODUCED OR USED FOR ANY OTHER PURPOSE, EXCEPT AS AUTHORIZED IN WRITING BY DANIELS MANUFACTURING. DANIELS MANUFACTURING CORP. ON COMPLETION OF ORDER OR OTHER PURPOSE FOR WHICH SENT.		HEAT TREAT		DRN.		7-15-98				<b>DMC</b> DANIELS MANUFACTURING CORP. ORLANDO, FLORIDA FSC# 11851	
				CHK'D.		7-98					
DO NOT SCALE DRAWING		FINISH		APPD.		DATE				WHERE USED: SIZE SCALE B NTS POSTING	
				APPD.		DATE					
				THIS DRAWING IS AN OUTLINE DRAWING OF THE RESPECTIVE DMC PART NUMBER INDICATED. ACTUAL DMC PART NUMBER IS DRAWING NUMBER WITHOUT THE "-ENV" SUFFIX.		CAD FILE NO Y204P-ENV		SHEET OF 1 1		REV. 1	

**UNCONTROLLED DOCUMENT  
WILL NOT BE UPDATED**