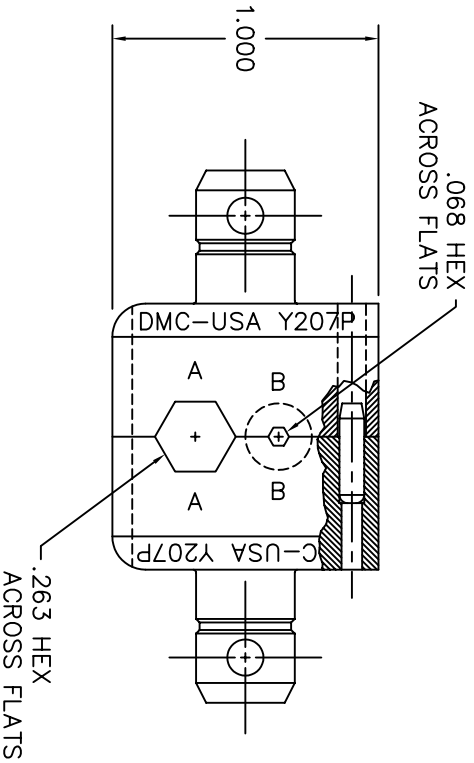
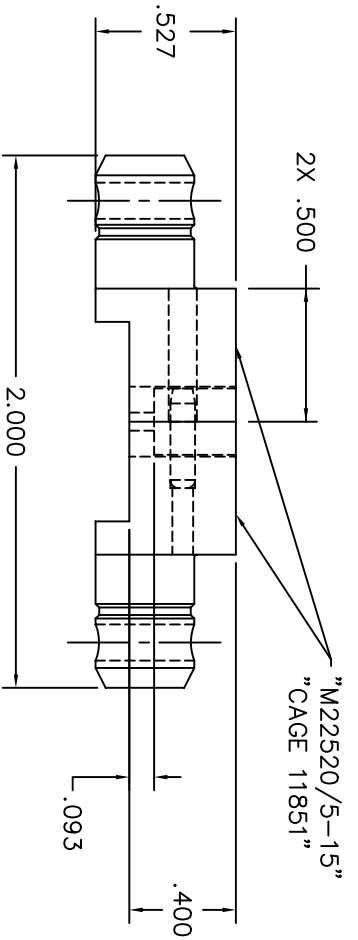


REVISIONS				
REV. SYM.	E.C.O. NUMBER	DESCRIPTION	BY DATE	APP'D DATE
1		ORIGINAL RELEASE	DVC 8/12/94	DE 8/12/94



**UNCONTROLLED DOCUMENT
WILL NOT BE UPDATED**

RESTRICTED & CONFIDENTIAL		MATERIAL		ITEM		QTY.		DESCRIPTION/REMARKS	
CONFIDENTIAL PROPERTY OF DANIELS MANUFACTURING CORP. REPRODUCTION OR USE FOR ANY OTHER PURPOSE, EXCEPT AS AUTHORIZED IN WRITING, BY DANIELS MANUFACTURING, MUST BE RETURNED TO DANIELS MANUFACTURING CORP. ON COMPLETION OF ORDER OR OTHER PURPOSE FOR WHICH LENT.		HEAT TREAT		DRAWING OF THE RESPECTIVE PART NUMBER INDICATED ACTUAL PART NUMBER IS DRAWING NUMBER WITHOUT THE "-ENV" SUFFIX.					
		FINISH							
DO NOT SCALE DRAWING									



DANIELS MANUFACTURING CORP.
ORLANDO, FLORIDA
CAGE 11851

TITLE
DIE SET
ENVELOPE DRAWING
(M22520/5-15)

WHERE USED:
SIZE SCALE
B 2X
POSTING

CAD P/N Y207P-ENV SHEET 1 OF 1
DWG. NO. Y207P-ENV REV. 1