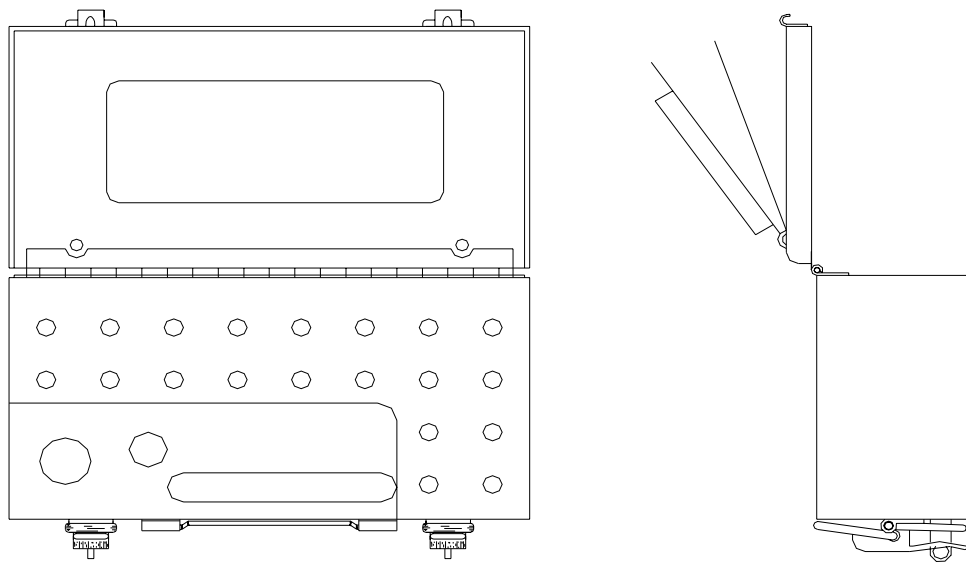


# DMC67 – EQUIVALENT TO MIL-T-83507/17-01

**DESCRIPTION:** The DMC67 Contains crimping tool M22520/2-01, Daniels Part Number AFM8, and Positioners M22520/2-02 through M22520/2-10. An In-Service Inspection Gage is supplied.



## PARTS LIST

PART NUMBER	QUANTITY	DESCRIPTION
AFM8	1	CRIMP TOOL
K1S	1	POSITIONER
K60S	1	POSITIONER
K151	1	POSITIONER
K3	1	POSITIONER
K41	1	POSITIONER
K40	1	POSITIONER
K13-1	1	POSITIONER
K42	1	POSITIONER
K43	1	POSITIONER
G125	1	IN-SERVICE INSPECTION GAGE